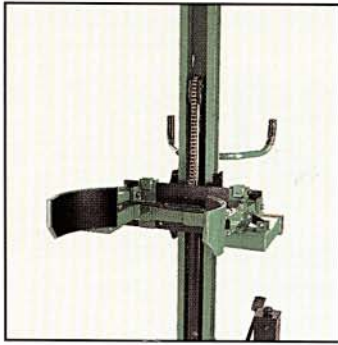
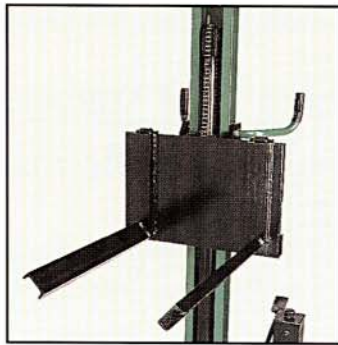


Model 6146 Drum Grip



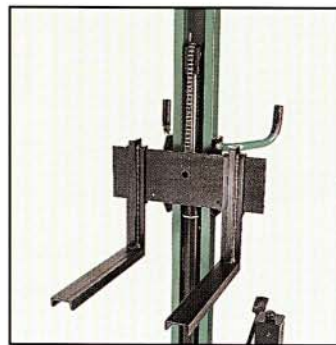
Spring and cam-actuated jaws grip automatically as pressure against the drum forces them down. Jaws adjust manually to transport steel drums from 18-23' in diameter. Bonded rubber liner ensures a positive grip.

Model 9804 Drum Forks



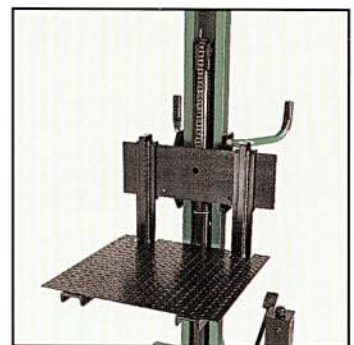
24" steel forks are specially adapted to handle horizontally stacked drums. Provides a fast, efficient way to lift drums into and out of stacking racks.

Model 9406 Pallet Forks



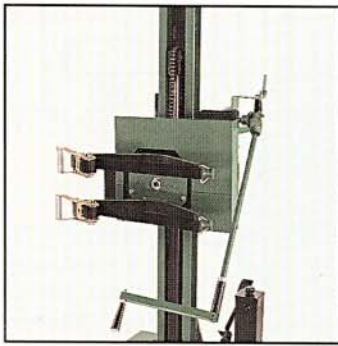
22" steel forks move, elevate and stack pallets up to 24" deep. Creates a compact fork truck that is particularly useful around narrow aisles and congested areas.

Model 9418 Steel Platform



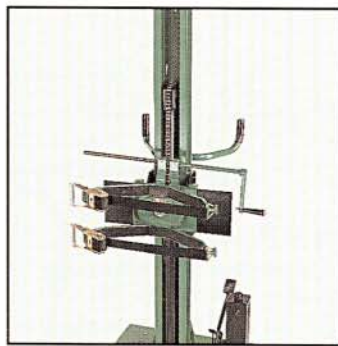
24" x 24" steel platform rests on Model 9406 pallet forks to convert unit into a platform lift. Ideal for positioning work and moving heavy items such as dies, molds, and metal parts.

Model 8562 Drum Rotator



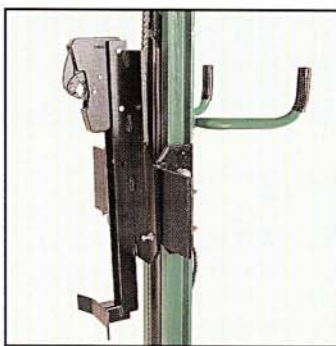
Drum Rotator offers a safe and effective way of rotating a wide variety of barrels. Fully-loaded drums up to 800 lbs. can be rotated 360° in either direction in a matter of seconds with minimal effort. Universal joint on the long-handled hand crank allows operator to stand in the optimum position for viewing. The gripping device is equipped with nylon belts, ratchet tighteners and rubber-coated arms for lifting a wide variety of types and sizes of drums.

Model 9409 Drum Tilter



Ideal for occasional one-sided drum pouring applications where no more than a 120° rotation is needed. The hand crank-operated tilter rotates heavy drums with ease. Includes new, improved ratchets with nylon straps.

Model 8560 Drum Claw



Versatile beak-style grab is able to grasp the rim of virtually any kind of drum for transport. Quickly and firmly attaches to drums without the use of straps.

Model 9410 Floor Lock



An optional Floor Lock is available to fit any model Versa-Lift or Roto-Lift. Use Model 9413 for Counterweighted Roto-Lift; Model 9410 for all other models.

ATTACHMENTS

Model	Description	Fork Length	Drum Diameter	Capacity	Shipping Weight
6146	Drum Grip	-	18-23"	800 lbs.	108 lbs.
9406	Pallet Forks	22"	-	1,000 lbs.	43 lbs.
9408	Drum Stacking Forks	24"	-	800 lbs.	81 lbs.
8562	Drum Rotator	-	12-23"	800 lbs.	121 lbs.
9409	Drum Tilter	-	12-23"	800 lbs.	66 lbs.
9418*	Steel Platform*	24" x 24"	-	1,000 lbs.	24 lbs.
8560	Drum Claw	-	up to 24"	800 lbs.	56 lbs.
9410	Floor Lock	-	-	-	4 lbs.
9413	Counterweight Floor Lock	-	-	-	4 lbs.

Specifications are subject to change without notice.

* Must be used with 9406 pallet forks.