

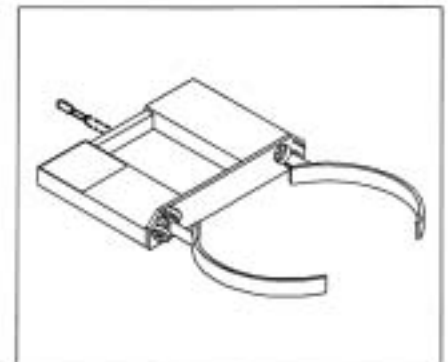
OPERATING INSTRUCTIONS

1. Wrap safety chain around carriage of lift truck.
2. Lower Drum Grip over the top of the drum and proceed past upper rib of drum.
3. When under the rib, raise forks to transport drum.
4. To release drum, set drum down and continue to lower forks to lower rib of drum. At this point, back away from drum.

MODEL 7398 PARTS LIST

ITEM	PART NO.	DESCRIPTION	QTY
1	F3-0060-A9	PIVOT PIN	2
2	F3-0200-A0	CHAIN - 50"	1
3	F7-2101-CB	ARM-LH 55 GAL.	1
4	F7-2102-C7	ARM-RH 55 GAL.	1
5	F7-2104-C5	FRAME	1
6	Z1-0020-A4	NUT-HEX FULL 1/2-13	2
7	Z1-0076-A7	SPRING PIN 5/16 x 1-3/8	2
8	Z1-0640-A3	SCREW-HEX HD 1/2-13 x 1	2
9	Z3-0513-A6	SNAP 2-1/4	2
10	Z4-0346-A8	INSTRUCTION DECAL	1

ASSEMBLED VIEW



DRUM HANDLING ATTACHMENT

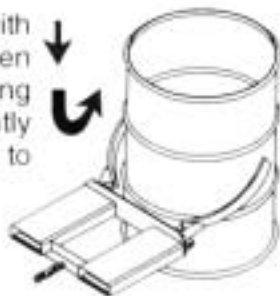
Valley Craft, Inc.

WARNING: Slide drum handler completely onto forks and secure chain to carriage.

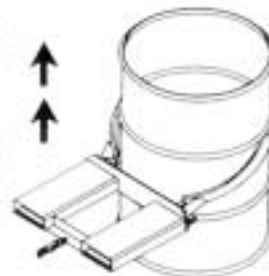
This attachment is intended for use on level floors in non-hazardous locations with a suitable lift truck for handling standard, undamaged steel drums with rolling ribs.

The capacity rating shown applies to the attachment only. Capacity of the lift truck and attachment combination may be less than capacity of the attachment – consult truck name plate.

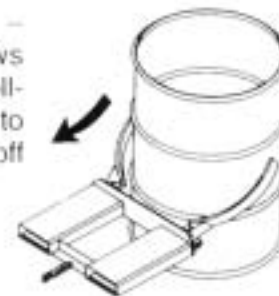
To engage - approach with jaws midway between upper and lower rolling ribs. Lower jaws slightly upon contact with drum to assist opening.



Lift drum with jaws which should grip just below upper rolling rib. Transport drum at minimum practical height and speed.



To disengage - lower until jaws contact lower rolling rib. Continue to lower and back off as jaws open.



MAINTENANCE:

The following inspections are recommended on a daily basis when this device is subject to frequent use, but no less than monthly:

1. Inspect the structural members and welds for cracks, deformation or excessive corrosion.
2. Inspect the bearing surfaces for excessive wear.

Discontinue use if any of the above conditions are found until repairs are made and tested.

MODEL: 7398 SINGLE WT: 57 LBS. CAPACITY: 750 LBS.
MODEL: 7438 DOUBLE WT: 135 LBS. CAPACITY: 1500 LBS

VALLEY CRAFT, INC. 2001 S HWY 61, LAKE CITY, MINNESOTA 55041-9555, USA

PHONE (800) 328-1480 OR (651) 345-3386 FAX (651) 345-3606

WEB SITE www.valleycraft.com e-mail: customer@valleycraft.com

Z40346A8