

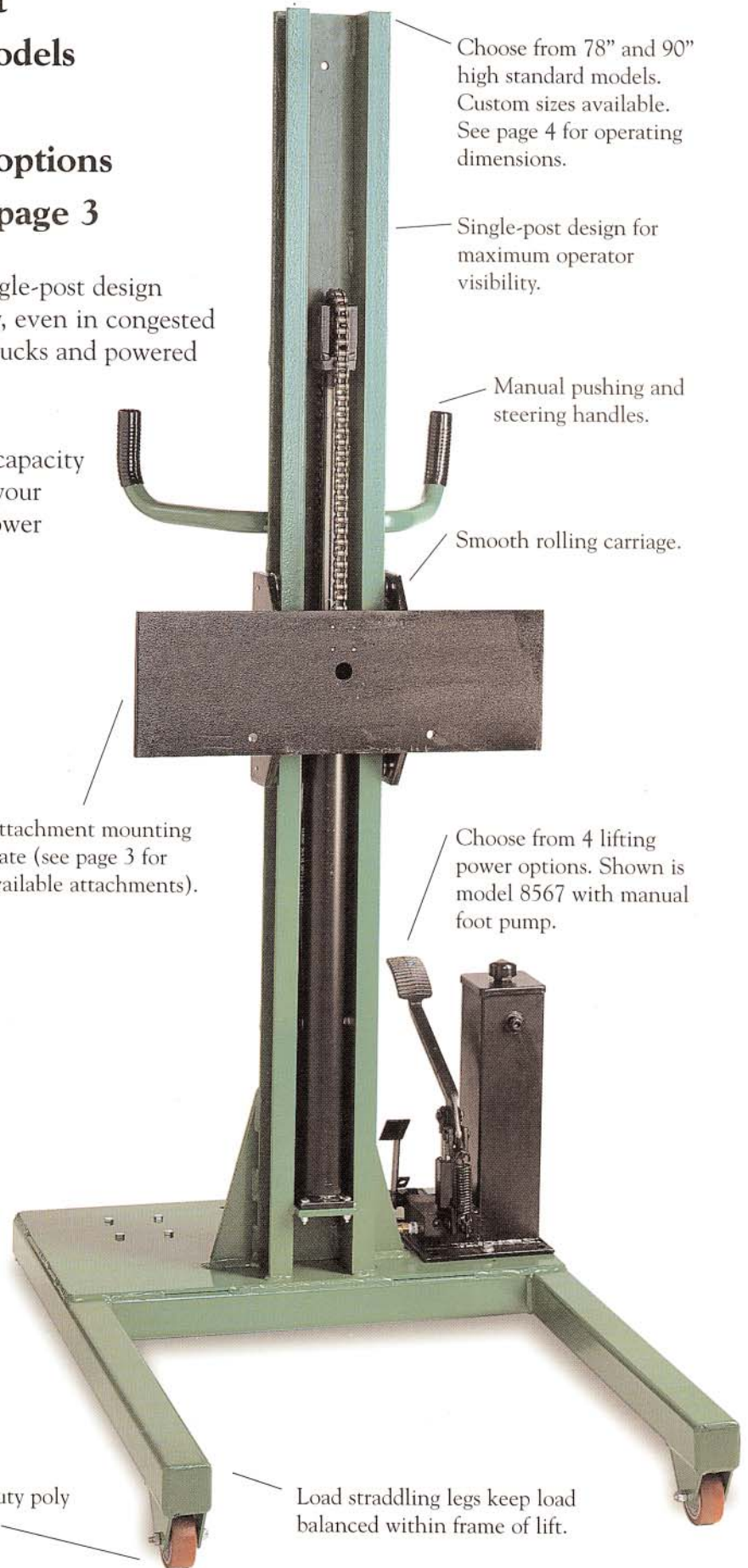
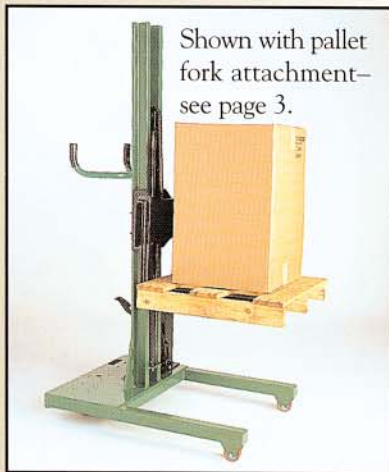
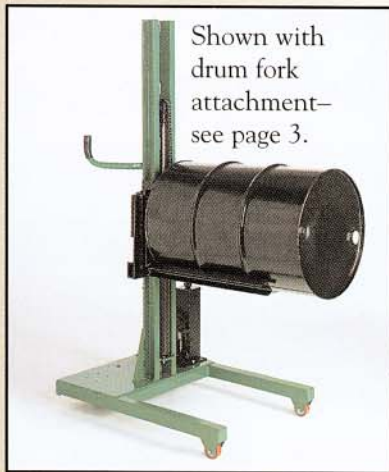
Versa-Lift™ Multi-Purpose Positioners

- Single-post load-straddling lift
- Choice of 78" or 90" high models
- Manually propelled
- Choose from 4 lifting power options
- Attachments sold separately-page 3

A proven heavy duty floor truck. Efficient single-post design provides excellent mobility and high visibility, even in congested areas. It's an ideal alternative to heavier lift trucks and powered walkies. Efficiently performs medium-duty or "in-between" handling tasks.

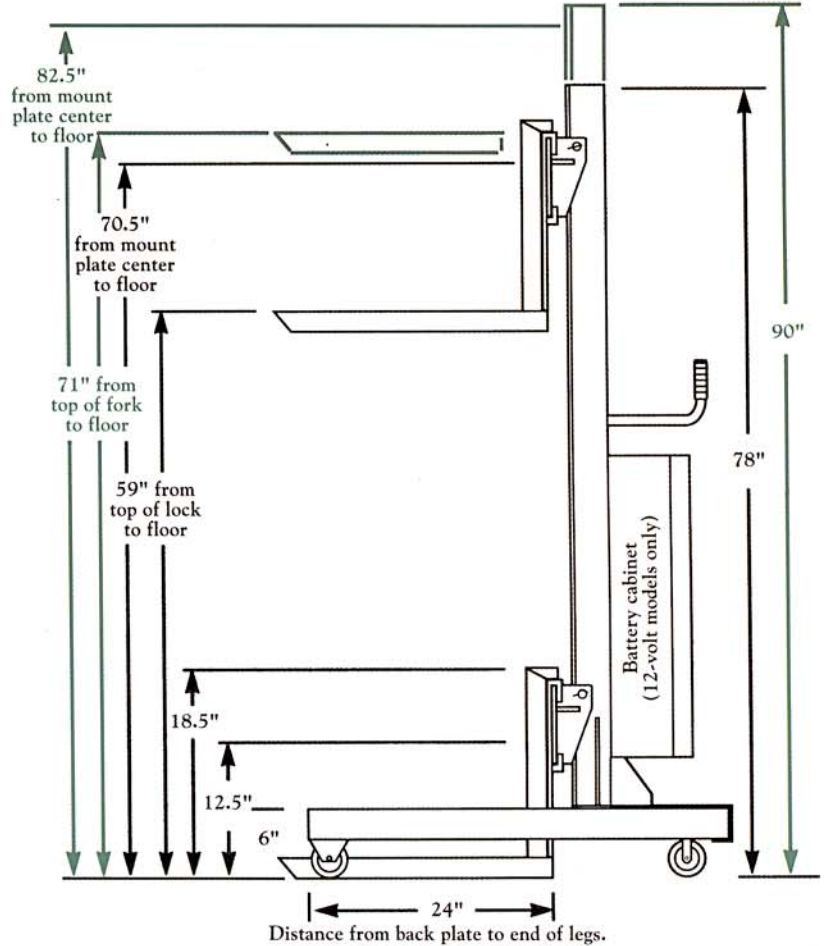
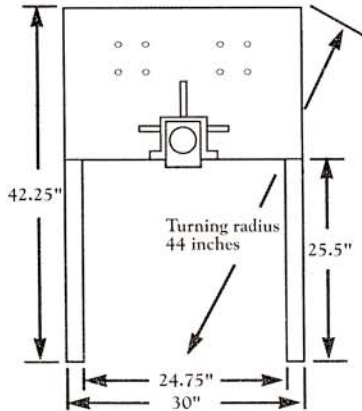
Features a rugged steel frame with a 1000-lb. capacity and 4 different lifting power options to meet your particular needs for economy and mobility. Power options are shown on page 4.

All trucks have 3 x 1.5" rigid and 4.5" swivel poly wheels. Trucks are manually propelled.



Versa-Lift™ Operating Dimensions & Specifications

Dimensions shown in green refer to the taller 90" model (all dimensions are nominal). Custom heights and widths are available. Call for quote.



Lifting Power Options

110-volt A.C. Motor

For operations where mobility is not a factor. Includes 8 feet of cord. Uses grounded outlet. Lifting speed 17 fpm.

Manual Foot Pump

Lifts back plate .75" per stroke. Maximum lifting speed is approximately 5 fpm

Air Power

Recommended for use around volatile materials. 80 psi, 5 cfm. .75" air line recommended. Lifting speed 17 fpm.

12-volt D.C. Motor

Powered by 12-volt battery (not included), it plugs into a standard grounded outlet to recharge. Charger and amp meter included. Lifting speed 17 fpm.



Versa-Lift™ Standard Models

Model Number	Lifting Height	Overall Height	Lifting Power Options	Lifting Speed (Feet per minute)	Capacity (12" from back plate)	Shipping Weight
8567	61	78	Manual Foot Pump	5 fpm	1,000 lbs.	335 lbs.
8568	71	90		5 fpm	1,000 lbs.	357 lbs.
7022	61	78	Air* Motor	17 fpm	1,000 lbs.	335 lbs.
7040	71	90		17 fpm	1,000 lbs.	380 lbs.
7785	61	78	110-volt A.C. Motor	17 fpm	1,000 lbs.	376 lbs.
7803	71	90		17 fpm	1,000 lbs.	392 lbs.
8553	61	78	12-volt** D.C. Motor	17 fpm	1,000 lbs.	368 lbs.
8561	71	90		17 fpm	1,000 lbs.	412 lbs.

*Air Motor: 80psi; 50 cfm; .75" diameter air line recommended.

**12-volt D.C. motor: Requires 12-volt deep cycle battery; 72 amps; 10.75" x 6.75" x 9" - high (to top of terminal). Flow is 1 gal. per minute at 2,000 psi.

Specifications are subject to change without notice.